

Inca HC SS

the high powered hideaway

BUILT-IN
standard SERIES

- high capacity insert
- for custom cabinets and hoods
- stainless steel finish
- 540 cfm
- 2 halogen lights
- 3 speed control
- dishwasher safe grease filters
- convertible to recirculating
- top or direct rear venting
- built-in mounting system
- sone range: 3.5 - 6.5
- 6" round duct



The Inca HC (high capacity) power pack is perfect for the homeowner who needs powerful ventilation, but does not want to see a rangehood at all. This exceptionally finished power pack installs effortlessly into your custom cabinet or hood.



Size/Color/Model #
29 Stainless 630002752



a
c
c
e
s
s
o
r
i
e
s

Inca HC can be used with custom cabinetry and hoods 30" wide and up. Choose either a custom liner or our Standard Liner in standard 30" and 36" widths.

Liners

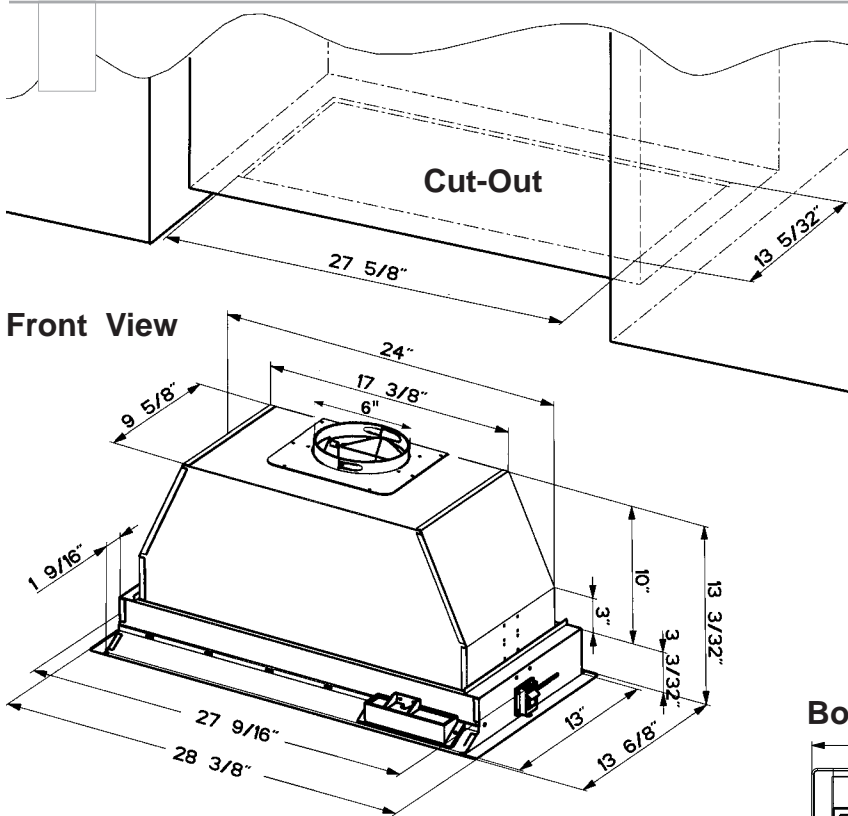
Create a perfectly-sealed, non-combustible perimeter around the Inca HC SS. Depth adjustable from 18" - 21 1/2".

- Standard Liner 30 Stainless 620000304
- Standard Liner 36 Stainless 620000305

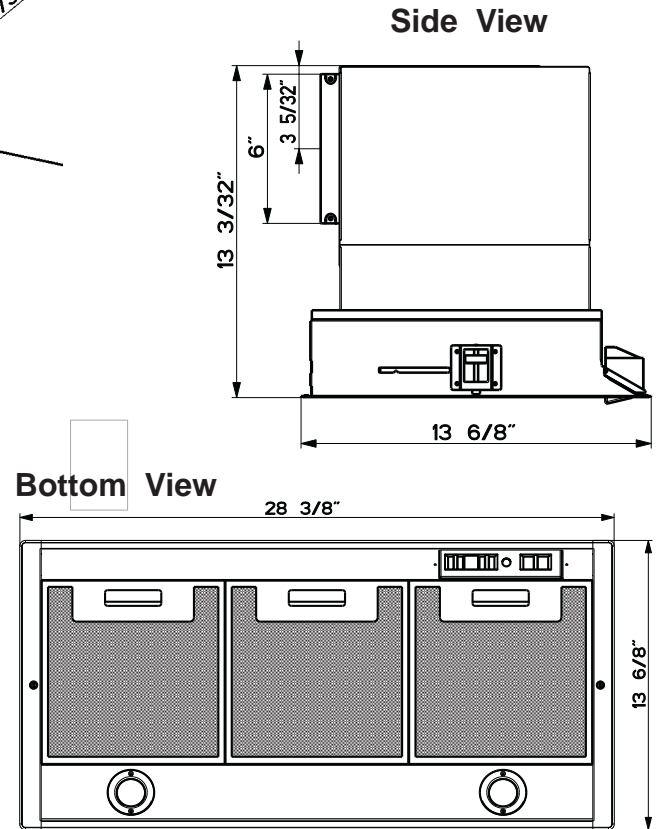
Charcoal Filters 6093034

For recirculating installations, high quality, heavy duty filters ensure the removal of smoke and odors from the kitchen. Some ductwork is required to exhaust the unit out of the cabinet.

Dimensional Diagrams



Note: The Inca HC comes standard in the top vent position. The direct rear vent position can be achieved by rotating the blower housing.



Pre-Planning Your Ductwork - Important: Consult the installation instructions before you begin installing this rangehood.

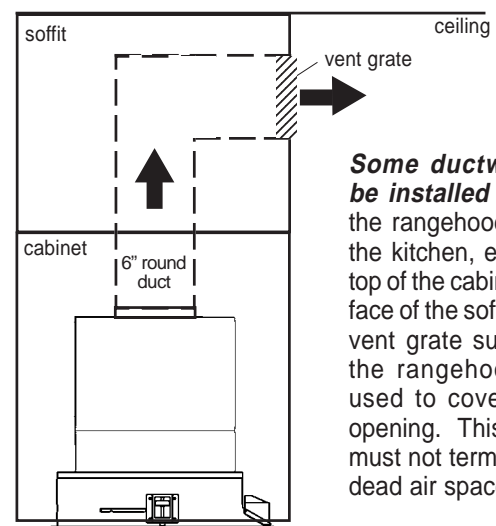
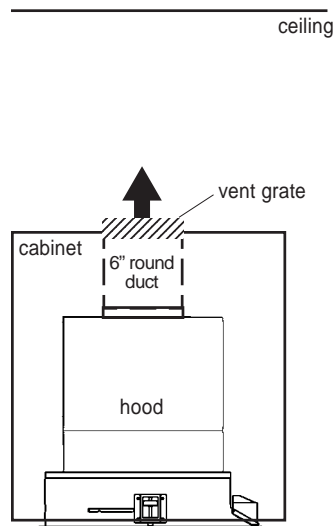
Make your ductrun as straight and short as possible. The ductrun should not exceed 35 equivalent feet if ducted with the required minimum of 6" round duct. Count 45° angles as 3 feet, 90° elbows as 5 feet, and 90° flat elbows as 12 feet.

For best results, use no more than three 90° elbows. Make sure that there is a minimum of 24" of straight duct between elbows if more than one is used. **Do not install two elbows together.** If you must elbow right away, do it as far away from the hood's exhaust opening as possible.

For more efficient airflow when venting to the rear: Rotate the Inca HC blower housing so that the 6" round exhaust outlet faces the back, rather than running ductwork up and elbowing back.

Recirculating Installations

For installations where ductwork is impossible or highly impractical **Charcoal Filters**, which attach to the blower assembly, absorb smoke and odors.



Some ductwork must be installed to exhaust the rangehood back into the kitchen, either at the top of the cabinet or at the face of the soffit. A plastic vent grate supplied with the rangehood can be used to cover the duct opening. This duct work must not terminate into a dead air space.

WARNING! Product specifications are subject to change without notification. Consult the installation instructions before you begin installing this rangehood.

Rev.05/04